

TSS Product Specification

BSxxxxL Thyristor Surge Suppressor

RoHS

1、FEATURES

- Excellent capability of absorbing transient surge
- Quick response to surge voltage
- Eliminates overvoltage caused by fast rising transients
- Non degenerative



2、PART NUMBER AND ELECTRICAL PARAMETER @ T=25°C RH = 45%-75%

Part Number	V _{DRM}	I _{DRM}	V _s	I _s	V _T	I _T	I _H	C _o
	V	μA	V	mA	V	A	mA	pF
		MAX	MAX		MAX		MIN	MAX
BS0640L	58	5	77	800	4	2.2	150	80
BS0800L	75	5	98	800	4	2.2	150	80
BS1800L	160	5	220	800	4	2.2	150	80
BS2300L	190	5	260	800	4	2.2	150	80
BS2600L	220	5	300	800	4	2.2	150	60
BS3100L	275	5	350	800	4	2.2	150	60
BS3500L	320	5	400	800	4	2.2	150	25
BS4200L	390	5	500	800	4	2.2	150	25

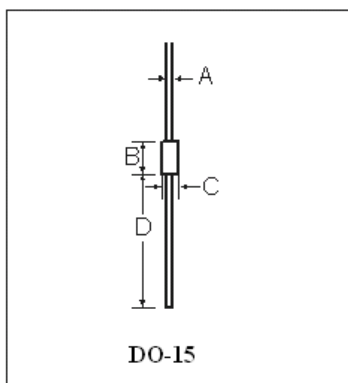
- ①、V_s is measured at 100KV/S
- ②、Off-state capacitance is measured in V_{DC}=2V, V_{RMS}=1V, F=1MHz
- ③、All measurements are made at an ambient temperature of 25°C
- ④、Rating Surge Voltage: 4KV(10/700μS)

3、PART NUMBERING SYSTEM

BS xxxx L
 (1) (2) (3)

- (1) Bencent Semiconductor Surge Arrester
- (2) Series: 0640, 0800, 1800, 2300, 2600, 3100, 3500, 4200 etc.
- (3) Package : DO-15

4、DIMENSIONS AND MARKING



Size	A (mm)	B (mm)	C (mm)	D (mm)
DO-15	0.7---0.9	5.8----7.6	2.6----3.6	≥25.4

MARKING:

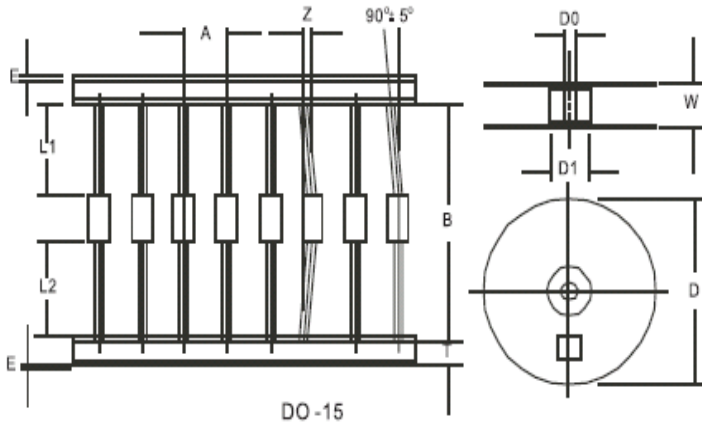
B35LB	Part Number
0909	Production Date
	0909 means 9 th month, 2009

TSS Product Specification

BSxxxxL Thyristor Surge Suppressor



5. PACKAGE REEL INFORMATION



DO-15

REF.	mm	inch
A	5.0+/-0.5	0.2+/-0.02
B	52.4+/-1.5	2.06+/-0.059
Z	1.2Max.	0.048Max
T	6.0+/-0.4	0.236+/-0.016
E	0.8Max	0.032Max
IL1-L2I	1.0Max	0.040 Max
D	330.0	13.0
D1	85.7+/-0.3	3.375+/-0.012
DO	30.5+/-0.4	1.201+/-0.016
W	79.0+/-1.0	3.110+/-0.040

OUTLINE	REEL (PCS)	PER CARTON (PCS)	REEL DIAMETERS (mm)	CARTON SIZE(mm)		
				L	W	H
TAPING	4,000	16,000	330	360	360	360

Remark:

- 1、 Company name change form *Bencent Electronics Limited* to *Shenzhen Bencent Electronics CO., Ltd*

Special Notes

- 1、 Shenzhen Bencent Electronics CO., Ltd (BENCENT) reserves the right to make changes without further notice to its products herein.
- 2、 BENCENT does not assumes any liability arising out of the application or usage of any product or circuit, and specifically disclaims any and all liability, including without limitation special, consequential or incidental damages.
- 3、 Any special usage must be authorized by BENCENT in advance; otherwise BENCENT does not take any liability of it.