

# TSS Product Specification

## BSxxxxL-A Thyristor Surge Suppressor



### 1、FEATURES

- Excellent capability of absorbing transient surge
- Quick response to surge voltage
- Eliminates overvoltage caused by fast rising transients
- Non degenerative



### 2、PART NUMBER AND ELECTRICAL PARAMETER @ T=25°C RH = 45%-75%

Part Number	VDRM	IDRM	VS	IS	VT	IT	IH	CO
	V	μA	V	mA	V	A	mA	pF
		MAX	MAX		MAX		MIN	MAX
BS0060L-A	6	5	25	800	4	1	40	60
BS0300L-A	25	5	40	800	4	1	50	60
BS0640L-A	58	5	77	800	4	1	150	60
BS0800L-A	75	5	98	800	4	1	150	60
BS1800L-A	160	5	220	800	4	1	150	60
BS2300L-A	190	5	260	800	4	1	150	60
BS2600L-A	220	5	300	800	4	1	150	50
BS3100L-A	275	5	350	800	4	1	150	50
BS3500L-A	320	5	400	800	4	1	150	50

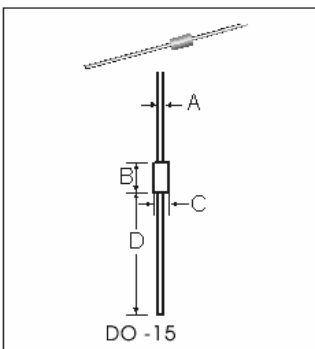
- ①、Vs is measured at 100KV/S
- ②、Off-state capacitance is measured in VDC=2V,VRMS=1V,F=1MHz
- ③、All measurements are made at an ambient temperature of 25°C

### 3、PART NUMBERING SYSTEM

B    xx    L    A  
 (1)    (2)    (3)    (4)

- (1) Bencent Semiconductor Surge Arrester
- (2) Series: 006, 03, 06, 08, 18, 23, 26, 31, 35 etc.
- (3) Package : L: D0-15
- (4) Rating Surge Current: 3KV(10/700μS)    50A (10/1000μS)

### 4、DIMENSIONS AND MARKING



Size	A (mm)	B (mm)	C (mm)	D (mm)
DO-15	0.7---0.9	5.8----7.6	2.6----3.6	≥25.4

#### MARKING:

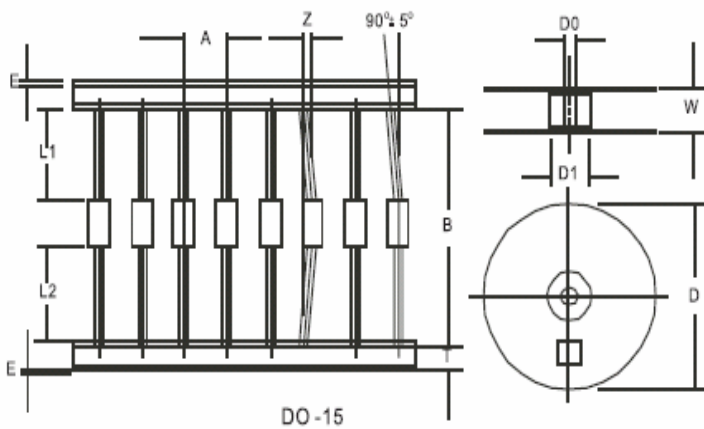
B35LA    Part Number  
 0906    Production Date  
 0906 means 6<sup>th</sup> month,2009

# TSS Product Specification

## BSxxxxL-A Thyristor Surge Suppressor



### 5、PACKAGE REEL INFORMATION



DO-15

REF.	mm	inch
A	5.0+/-0.5	0.2+/-0.02
B	52.4+/-1.5	2.06+/-0.059
Z	1.2Max.	0.048Max
T	6.0+/-0.4	0.236+/-0.016
E	0.8Max	0.032Max
IL1-L2I	1.0Max	0.040 Max
D	330.0	13.0
D1	85.7+/-0.3	3.375+/-0.012
DO	30.5+/-0.4	1.201+/-0.016
W	79.0+/-1.0	3.110+/-0.040

OUTLINE	REEL (PCS)	PER CARTON (PCS)	REEL DIAMETERS (mm)	CARTON SIZE(mm)		
				L	W	H
TAPING	4,000	16,000	330	360	360	360

Remark:

### Special Notes

- 1、 Bencent Electronics Limited (BENCENT) reserves the right to make changes without further notice to its products herein.
- 2、 BENCENT does not assumes any liability arising out of the application or usage of any product or circuit, and specifically disclaims any and all liability, including without limitation special, consequential or incidental damages.
- 3、 Any special usage must be authorized by BENCENT in advance; otherwise BENCENT does not take any liability of it.

Date Issued:2009/06