

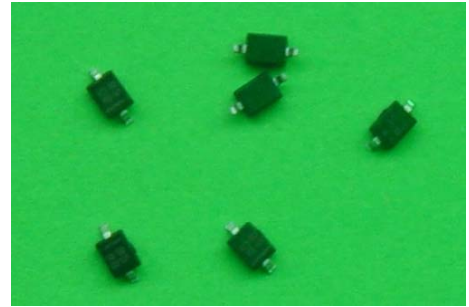
TVS Product Specification

BSxxxxD1 Transient Voltage Suppressor



1、FEATURES

- Small package for use in portable electronics
- 350 Watts peak pulse power($t_p=8/20\mu S$)
- Suitable replacement for MLV's in ESD protection applications
- Low clamping current



2、PART NUMBER AND ELECTRICAL PARAMETER @ T=25°C RH = 45%-75%

Part Number	VDRM	IDRM	VBR	IR	Vc	Ipp	Vc	Ipp	CO
	V	μA	V	mA	V	A	V	A	pF
		MAX	MIN		MAX		MAX		MAX
BS0060D1	5	10	6	1	9.8	5	14.5	24	350
BS0120D1	12	5	13.3	1	19	5	24	15	300
BS0150D1	15	5	16.7	1	24	5	29	12	250
BS0250D1	25	5	26.7	1	40	5	44	8	100

- ①、Off-state capacitance is measured in $V_{DC}=2V, V_{RMS}=1V, F=1MHz$
- ②、All measurements are made at an ambient temperature of 25°C
- ③、Surge Waveform: 8/20 μS

3、PART NUMBERING SYSTEM

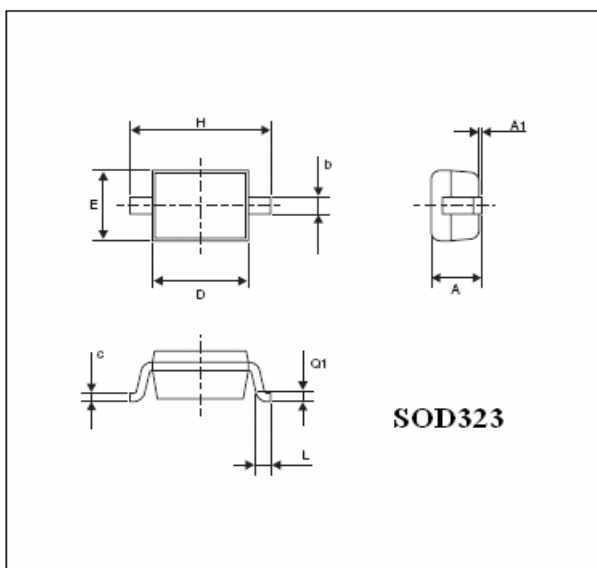
B x

(1) (2)

(1) Bencent Semiconductor Surge Arrester

(2) Series: 6, 12, 15, 25 etc.

4、DIMENSIONS AND MARKING



Ref.	Dimensions			
	Millimeters		Inches	
	Min.	Max.	Min.	Max.
A		1.17		0.046
A1	0	0.1	0	0.004
b	0.25	0.44	0.01	0.017
c	0.1	0.25	0.004	0.01
D	1.52	1.8	0.06	0.071
E	1.11	1.45	0.044	0.057
H	2.3	2.7	0.09	0.106
L	0.1	0.46	0.004	0.02
Q1	0.1	0.41	0.004	0.016

MARKING:

B6 Part Number

9F Production Date

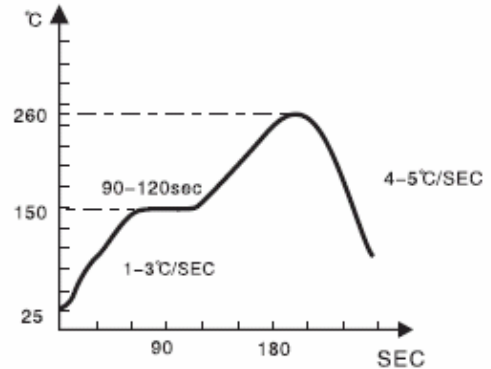
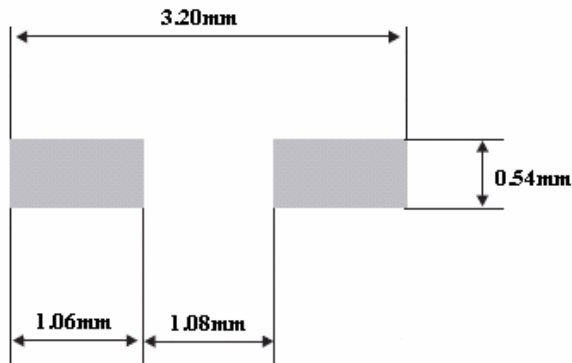
9F means 6th month,2009

TVS Product Specification

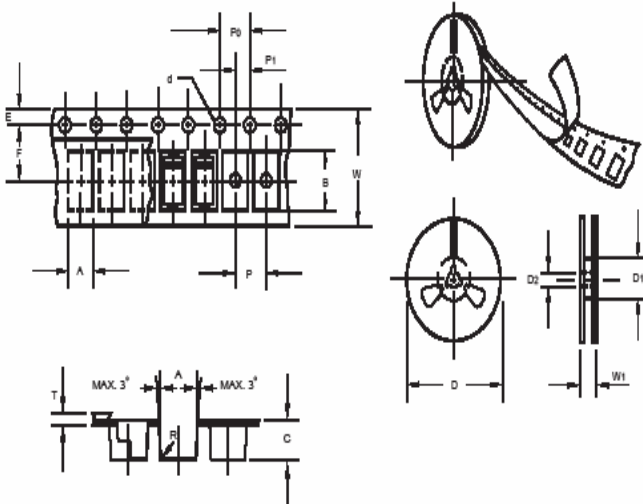
BSxxxxD1 Transient Voltage Suppressor



5、RECOMMENDED SOLDERING PAD AND REFLOW PROFILE



6、PACKAGE REEL INFORMATION



REF.	mm	inch
A	1.46±0.10	0.057±0.004
B	2.9±0.10	0.114±0.004
C	1.25±0.10	0.049±0.004
d	1.50±0.12	0.059±0.005
D	178±1.00	7.01±0.039
D1	55Min.	2.165Min.
D2	13.0±0.50	0.511±0.020
E	1.75±0.10	0.069±0.004
F	3.50±0.05	0.138±0.002
P	4.00±0.10	0.158±0.004
P0	4.00±0.10	0.158±0.004
P1	2.00±0.05	0.079±0.002
T	0.25±0.02	0.01±0.001
W	8.00±0.30	0.315±0.012
W1	14.4±0.50	0.567±0.020

OUTLINE	REEL (PCS)	PER CARTON (PCS)	REEL DIAMETERS (mm)	CARTON SIZE(mm)		
				L	W	H
TAPING	3,000	90,000	177	360	370	220

Remark:

Special Notes

- 1、 Bencent Electronics Limited (BENCENT) reserves the right to make changes without further notice to its products herein.
- 2、 BENCENT does not assume any liability arising out of the application or usage of any product or circuit, and specifically disclaims any and all liability, including without limitation special, consequential or incidental damages.
- 3、 Any special usage must be authorized by BENCENT in advance; otherwise BENCENT does not take any liability of it.

Date Issued:2009/06