

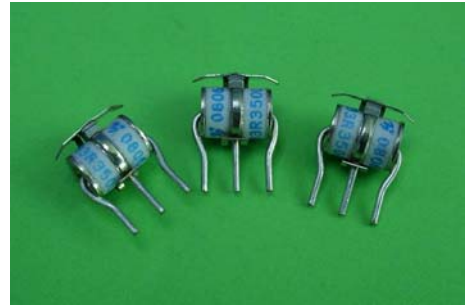
GDT Product Specification

B3R***L-FS2 DIP Gas Discharge Tube (Φ8×10mm)



1、FEATURES

- 3-Electrode DIP Design UL Certificated E328761
- High Current Handling Capability 5,000A @ 8/20μs
- Low Capacitance and Insertion Loss
- Fast Response and Long Service Life
- Reliable to Protect Electrostatic Surge
- Available with Thermal Failsafe



2、AVAILABLE PART NUMBER AND ELECTRICAL PARAMETER @ T=25°C RH = 45%-75%

Part Number	DC Breakdown Voltage①	Tolerance of Vs	Impulse Spark-over Voltage 1kV/μs⑤	Impulse Discharge Current②④ 8/20μs	Insulation Resistance		C③ (1MHz) 0.3V _{DC}
	100V/s⑤				GΩ	DC	
B3R070L-FS2	70V	±25%	≤650V	5,000A	≥1	25V	≤1.5pF
B3R090L-FS2	90V	±25%	≤650V	5,000A	≥1	50V	≤1.5pF
B3R150L-FS2	150V	±25%	≤600V	5,000A	≥1	50V	≤1.5pF
B3R230L-FS2	230V	±20%	≤550V	5,000A	≥1	100V	≤1.5pF
B3R350L-FS2	350V	±20%	≤750V	5,000A	≥1	100V	≤1.5pF
B3R420L-FS2	420V	±20%	≤800V	5,000A	≥1	100V	≤1.5pF
B3R470L-FS2	470V	±20%	≤850V	5,000A	≥1	250V	≤1.5pF
B3R600L-FS2	600V	±20%	≤950V	5,000A	≥1	250V	≤1.5pF

- ①、The parameters of all are tested by ITU-T K12
- ②、Total Impulse Discharge Current 5,000A @ 8/20μs by IEC 61000-4-5, 10 shots
- ③、The capacitance are tested by 1MHz @ DC = 0.3V
- ④、Currents through center electrode, half value through each line electrode
- ⑤、The V-T waveform of DCBV and IPBV must lie between the shades.

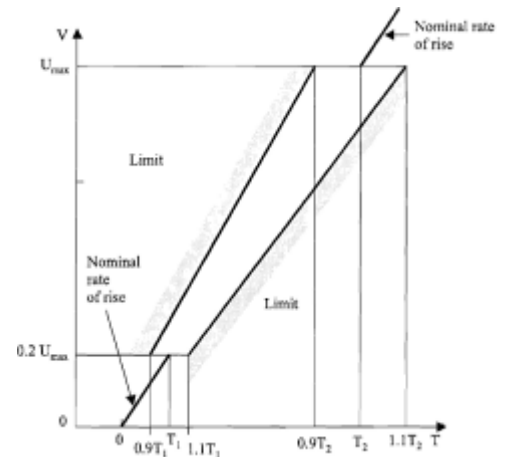
3、PART NUMBERING SYSTEM

B3R **XXX** **L** - **FS2**
 (1) (2) (3) (4)

- (1) Bencent 3-Electrod DIP Gas Discharge Tube :3R-Φ8×10 (mm)
- (2) DC Breakdown Voltage, e.g., 260=260V
- (3) Surge Rating @8/20 μ s, L=5KA, M=20KA, H=20KA
- (4) Thermal Failsafe Type:FS1,FS2

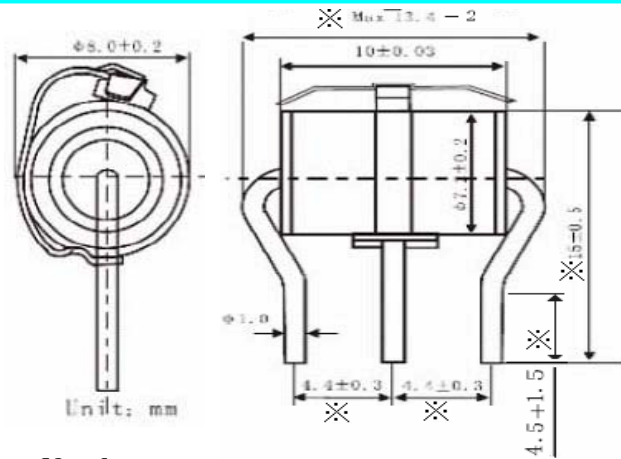
4、DIMENSIONS AND RECOMMENDED FLOW

Dimensions



GDT Product Specification

B3R***L-FS2 DIP Gas Discharge Tube (Φ8×10mm)



Unit:mm

Surface Mark

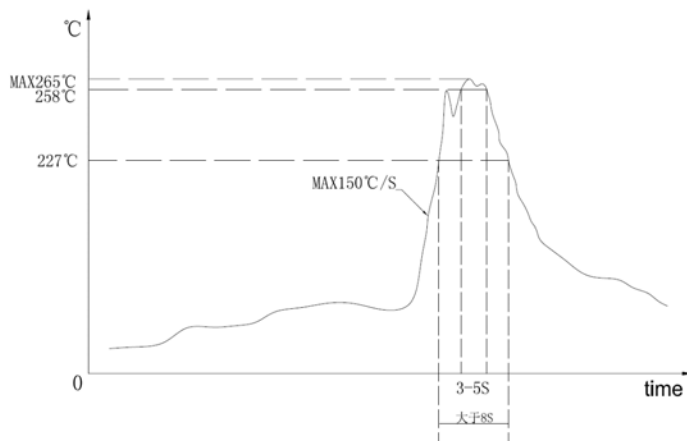
B3R090L-Part Number

0401-Production Date

04:Year 2004

01:Month 1/January

Recommended Flow



6、PACKAGE BOX INFORMATION

OUTLINE	BOX/REEL (PCS)	INSIDE CARTON (PCS)	PER CARTON (PCS)	CARTON SIZE(mm)		
				L	W	H
BOX	100	1,000	6,000	395	370	225

Remark:

Special Notes

- 1、 Bencent Electronics Limited (BENCENT) reserves the right to make changes without further notice to its products herein.
- 2、 BENCENT does not assumes any liability arising out of the application or usage of any product or circuit, and specifically disclaims any and all liability, including without limitation special, consequential or incidental damages.
- 3、 Any special usage must be authorized by BENCENT in advance; otherwise BENCENT does not take any liability of it.

Date Issued:2009/06