

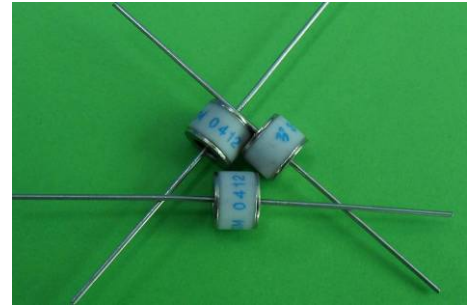
GDT Product Specification

B8G***H DIP Gas Discharge Tube (Φ8×6mm)



1、FEATURES

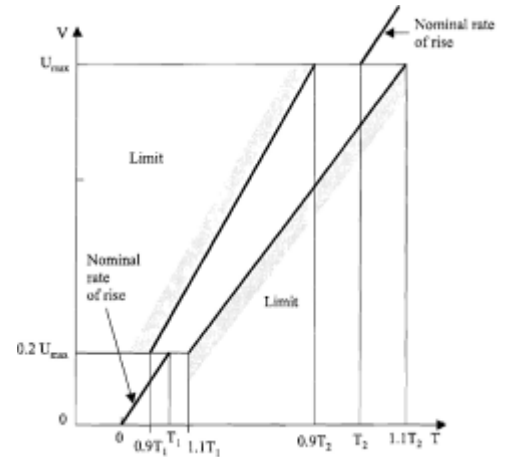
- 2-Electrode DIP Design UL Certificated E232249
- High Current Handling Capability 20,000A @ 8/20μs
- Low Capacitance and Insertion Loss
- Fast Response and Long Service Life
- Reliable to Protect Electrostatic Surge



2、AVAILABLE PART NUMBER AND ELECTRICAL PARAMETER @ T=25°C RH = 45%-75%

| Part Number | DC Breakdown Voltage① | Tolerance of Vs | Impulse Spark-over Voltage | Impulse Discharge Current② | Insulation Resistance | | C③ (1MHz) |
|-------------|-----------------------|-----------------|----------------------------|----------------------------|-----------------------|------|--------------------|
| | 100V/s④ | | 1kV/μs④ | 8/20μs | GΩ | DC | 0.3V _{DC} |
| B8G070H | 70V | ±25% | ≤650V | 20,000A | ≥1 | 25V | ≤2pF |
| B8G090H | 90V | ±25% | ≤650V | 20,000A | ≥1 | 50V | ≤2pF |
| B8G150H | 150V | ±25% | ≤600V | 20,000A | ≥1 | 50V | ≤2pF |
| B8G230H | 230V | ±20% | ≤550V | 20,000A | ≥1 | 100V | ≤2pF |
| B8G350H | 350V | ±20% | ≤750V | 20,000A | ≥1 | 100V | ≤2pF |
| B8G420H | 420V | ±20% | ≤800V | 20,000A | ≥1 | 100V | ≤2pF |
| B8G470H | 470V | ±20% | ≤850V | 20,000A | ≥1 | 250V | ≤2pF |
| B8G600H | 600V | ±20% | ≤950V | 20,000A | ≥1 | 250V | ≤2pF |

- ①、The parameters of all are tested by ITU-T K12
- ②、Total Impulse Discharge Current 20,000A @ 8/20μs by IEC 61000-4-5, 10 shots
- ③、The capacitance are tested by 1MHz @ DC= 0.3V
- ④、The V-T waveform of DCBV and IPBV must lie between the shades.



3、PART NUMBERING SYSTEM

B8G **XXX** **L**
 (1) (2) (3)

(1) Bencent 2-Electrod DIP Gas Discharge Tube :

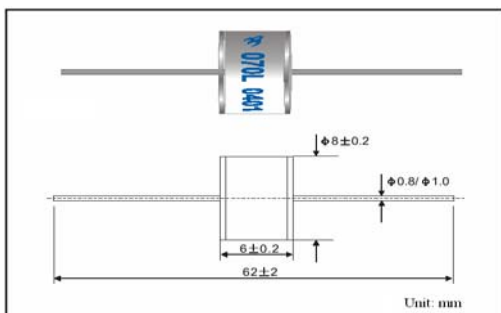
- ①、5G-Φ5.5×6 (mm)
- ②、8G-Φ8×6 (mm)

(2) DC Breakdown Voltage, e.g., 070=70V

(3) Surge Rating @8/20 μ s, L=5KA, M=20KA, H=20KA

4、DIMENSIONS AND RECOMMENDED FLOW

Dimensions



Surface Mark :

070L-Part Number

0401-Production Date

04:Year 2004

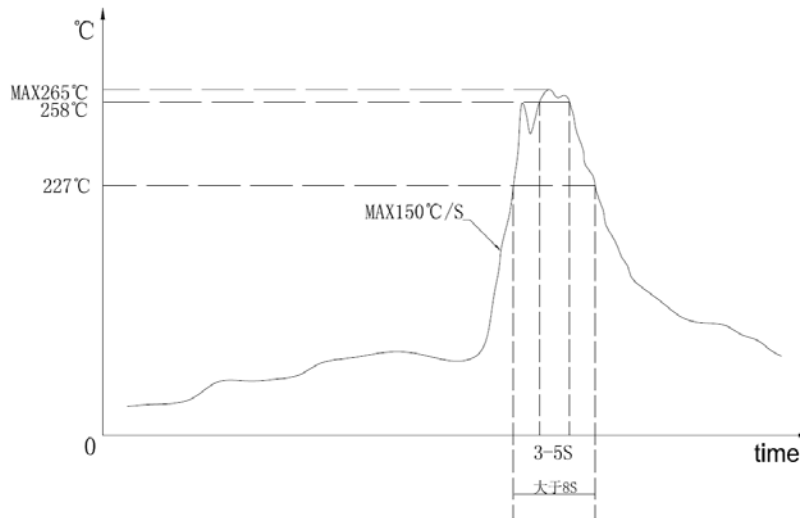
01:Month 1/January

GDT Product Specification

B8G***H DIP Gas Discharge Tube (Φ8×6mm)



Recommended Flow



6、PACKAGE BOX INFORMATION

| OUTLINE | BOX/REEL (PCS) | INSIDE CARTON (PCS) | PER CARTON (PCS) | CARTON SIZE(mm) | | |
|---------|-------------------|------------------------|---------------------|-----------------|-----|-----|
| | | | | L | W | H |
| BOX | 100 | 1,000 | 6,000 | 395 | 370 | 225 |

Remark:

Special Notes

- 1、 Bencent Electronics Limited (BENCENT) reserves the right to make changes without further notice to its products herein.
- 2、 BENCENT does not assumes any liability arising out of the application or usage of any product or circuit, and specifically disclaims any and all liability, including without limitation special, consequential or incidental damages.
- 3、 Any special usage must be authorized by BENCENT in advance; otherwise BENCENT does not take any liability of it.

Date Issued:2009/06