

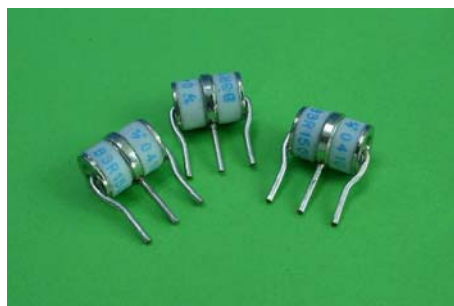
# GDT Product Specification

## B3R\*\*\*M DIP Gas Discharge Tube (Φ8×10mm)



### 1、FEATURES

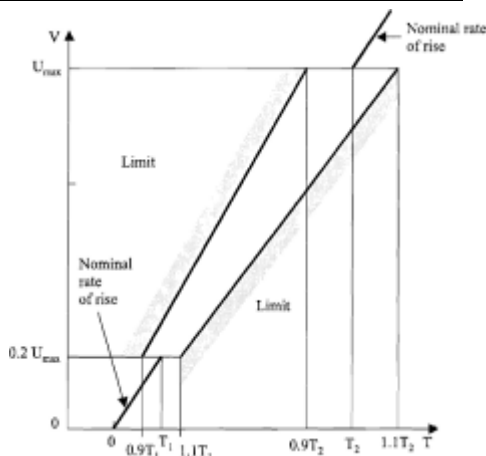
- 3-Electrode DIP Design UL Certificated E232249
- High Current Handling Capability 10,000A @ 8/20μs
- Low Capacitance and Insertion Loss
- Fast Response and Long Service Life
- Reliable to Protect Electrostatic Surge



### 2、AVAILABLE PART NUMBER AND ELECTRICAL PARAMETER @ T=25°C RH = 45%-75%

Part Number	DC Breakdown Voltage①	Tolerance of Vs	Impulse Spark-over Voltage	Impulse Discharge Current②④	Insulation Resistance		C③ (1MHz)
	100V/s⑤		1kV/μs⑤	8/20μs	GΩ	DC	0.3V <sub>DC</sub>
B3R070M	70V	±25%	≤650V	10,000A	≥1	25V	≤1.5pF
B3R090M	90V	±25%	≤650V	10,000A	≥1	50V	≤1.5pF
B3R150M	150V	±25%	≤600V	10,000A	≥1	50V	≤1.5pF
B3R230M	230V	±20%	≤550V	10,000A	≥1	100V	≤1.5pF
B3R350M	350V	±20%	≤750V	10,000A	≥1	100V	≤1.5pF
B3R420M	420V	±20%	≤800V	10,000A	≥1	100V	≤1.5pF
B3R470M	470V	±20%	≤850V	10,000A	≥1	250V	≤1.5pF
B3R600M	600V	±20%	≤950V	10,000A	≥1	250V	≤1.5pF

- ①、The parameters of all are tested by ITU-T K12
- ②、Total Impulse Discharge Current 10,000A @ 8/20μs by IEC 61000-4-5, 10 shots
- ③、The capacitance are tested by 1MHz @ DC=0.3V
- ④、Currents through center electrode, half value through each line electrode
- ⑤、The V-T waveform of DCBV and IPBV must lie between the shades.



### 3、PART NUMBERING SYSTEM

**B3R**      **XXX**      **L**  
 (1)          (2)          (3)

(1) Bencent 3-Electrod DIP Gas Discharge Tube :

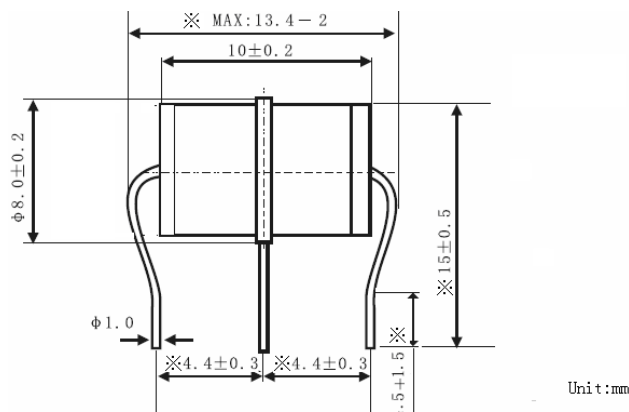
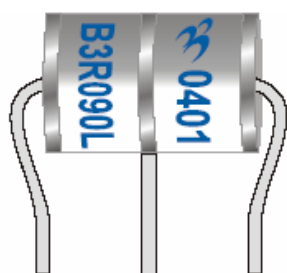
①、3R-Φ8×10 (mm)

(2) DC Breakdown Voltage, e.g., 090=90V

(3) Surge Rating @8/20 μ s, L=5KA, M=20KA, H=20KA

### 4、DIMENSIONS AND RECOMMENDED FLOW

Dimensions



Unit:mm

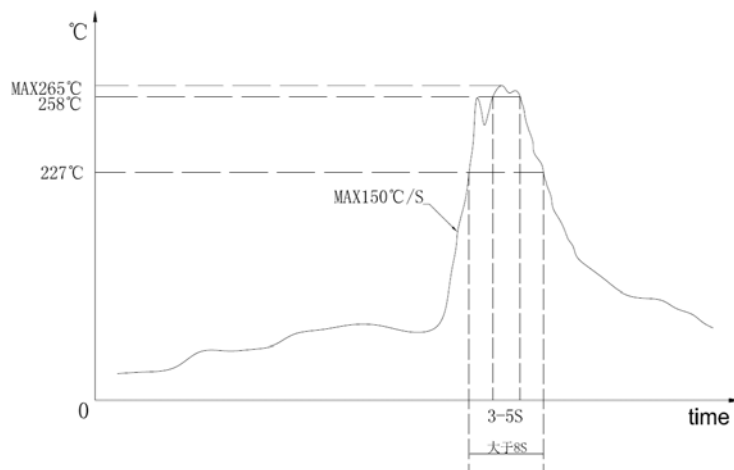
# GDT Product Specification

**B3R\*\*\*M DIP Gas Discharge Tube (Φ8×10mm)**


Surface Mark

**B3R090L-Part Number****0401-Production Date****04:Year 2004****01:Month 1/January**

Recommended Flow



## 6、PACKAGE BOX INFORMATION

OUTLINE	BOX/REEL (PCS)	INSIDE CARTON (PCS)	PER CARTON (PCS)	CARTON SIZE(mm)		
				L	W	H
BOX	100	1,000	6,000	395	370	225

Remark:

### Special Notes

- 1、 Bencent Electronics Limited (BENCENT) reserves the right to make changes without further notice to its products herein.
- 2、 BENCENT does not assumes any liability arising out of the application or usage of any product or circuit, and specifically disclaims any and all liability, including without limitation special, consequential or incidental damages.
- 3、 Any special usage must be authorized by BENCENT in advance; otherwise BENCENT does not take any liability of it.

Date Issued:2009/06