

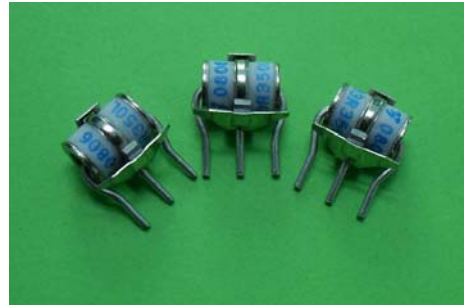
GDT Product Specification

B3R***L-FS1 DIP Gas Discharge Tube (Φ8×10mm)



1、FEATURES

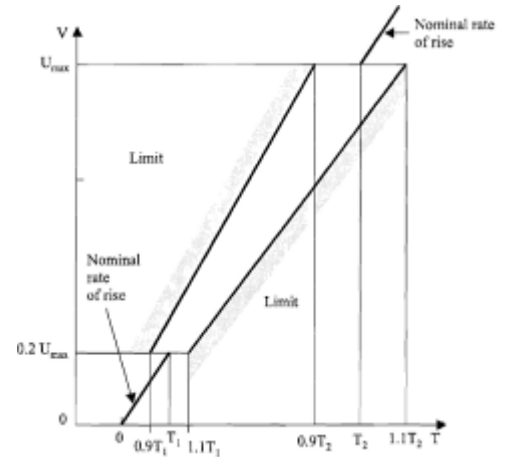
- 3-Electrode DIP Design UL Certificated E328761
- High Current Handling Capability 10,000A @ 8/20 μ s
- Low Capacitance and Insertion Loss
- Fast Response and Long Service Life
- Reliable to Protect Electrostatic Surge
- Available with Thermal Failsafe



2、AVAILABLE PART NUMBER AND ELECTRICAL PARAMETER @ T=25°C RH = 45%-75%

Part Number	DC Breakdown Voltage ^①	Tolerance of Vs	Impulse Spark-over Voltage 1kV/ μ s ^⑤	Impulse Discharge Current ^{②④} 8/20 μ s	Insulation Resistance		C ^③ (1MHz) 0.3V _{DC}
	100V/s ^⑤				G Ω	DC	
B3R070M-FS1	70V	±25%	≤650V	10,000A	≥1	25V	≤1.5pF
B3R090M-FS1	90V	±25%	≤650V	10,000A	≥1	50V	≤1.5pF
B3R150M-FS1	150V	±25%	≤600V	10,000A	≥1	50V	≤1.5pF
B3R230M-FS1	230V	±20%	≤550V	10,000A	≥1	100V	≤1.5pF
B3R350M-FS1	350V	±20%	≤750V	10,000A	≥1	100V	≤1.5pF
B3R420M-FS1	420V	±20%	≤800V	10,000A	≥1	100V	≤1.5pF
B3R470M-FS1	470V	±20%	≤850V	10,000A	≥1	250V	≤1.5pF
B3R600M-FS1	600V	±20%	≤950V	10,000A	≥1	250V	≤1.5pF

- ①、The parameters of all are tested by ITU-T K12
- ②、Total Impulse Discharge Current 10,000A @ 8/20 μ s by IEC 61000-4-5, 10 shots
- ③、The capacitance are tested by 1MHz @ DC = 0.3V
- ④、Currents through center electrode, half value through each line electrode
- ⑤、The V-T waveform of DCBV and IPBV must lie between the shades.



3、PART NUMBERING SYSTEM

B3R **XXX** **L** - **FS1**
 (1) (2) (3) (4)

- (1) Bencent 3-Electrod DIP Gas Discharge Tube :3R-Φ8×10 (mm)
- (2) DC Breakdown Voltage, e.g., 070=70V
- (3) Surge Rating @8/20 μ s, L=5KA, M=20KA, H=20KA
- (4) Thermal Failsafe Type:FS1,FS2

4、DIMENSIONS AND RECOMMENDED FLOW

Dimensions

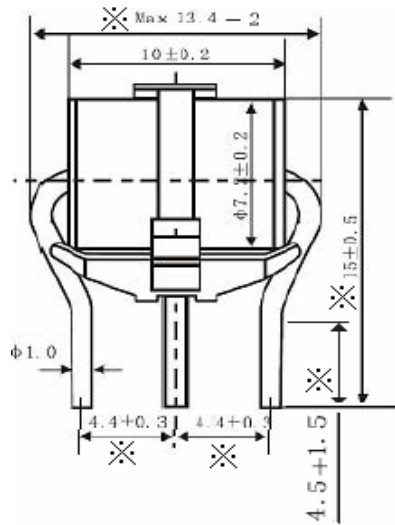
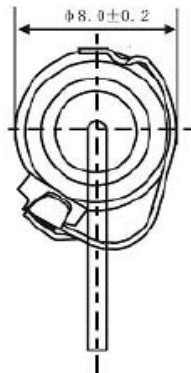


GDT Product Specification

B3R***L-FS1 DIP Gas Discharge Tube (Φ8×10mm)



Surface Mark



Unit: mm

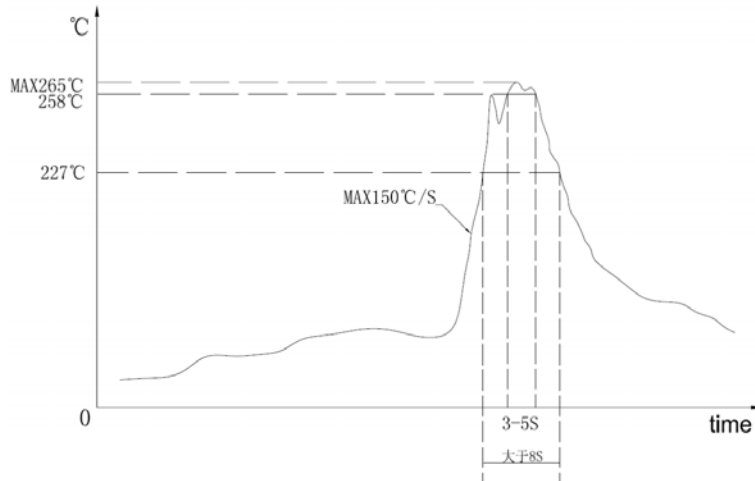
B3R260L-Part Number

0401-Production Date

04: Year 2004

01: Month 1/January

Recommended Flow



6、PACKAGE BOX INFORMATION

OUTLINE	BOX (PCS)	INSIDE CARTON (PCS)	PER CARTON (PCS)	CARTON SIZE(mm)		
				L	W	H
BOX	100	1,000	6,000	395	370	225

Remark:

Special Notes

- 1、 Bencent Electronics Limited (BENCENT) reserves the right to make changes without further notice to its products herein.
- 2、 BENCENT does not assumes any liability arising out of the application or usage of any product or circuit, and specifically disclaims any and all liability, including without limitation special, consequential or incidental damages.
- 3、 Any special usage must be authorized by BENCENT in advance; otherwise BENCENT does not take any liability of it.

Date Issued:2009/10